

# PNEUMATIC CONNECTORS—SELECTION

Round Pneumatic Connector Selection Chart

Basic Model	Connector Diameter Inches (mm)	No. of Tubes on Connector	Tubulation Diameter Inches (mm)	Page	Rating (psi)*
19 M & F	.460 (11.7)	19	.040 (1.02)	8	100
31 M & F	.560 (14.2)	31	.040 (1.02)	8	100
55 M & F	.700 (17.8)	55	.040 (1.02)	8	100
24 D	1.250 (31.8)	24	.040 (1.02)	9	300
48 D	1.250 (31.8)	48	.040 (1.02)	9	300
73ZOC	1.250 (31.8)	73	.040 (1.02)	10	500
31 M & F	.900 (22.9)	31	.063 (1.59)	8	100
24 D	1.250 (31.8)	24	.063 (1.59)	9	300
48 D	1.250 (31.8)	48	.063 (1.59)	9	300
48ZOC	1.375 (34.9)	48	.063 (1.59)	10	500
55 M & F	1.125 (28.6)	55	.063 (1.59)	8	100
73ZOC	1.250 (31.8)	73	.063 (1.59)	10	500
24 C	3.00 (76.2) ring	24	.125 (3.18)	11 & 12	500
48 C	3.00 (76.2) ring	48	.063 (1.59)	11 & 12	500
64 C	3.00 (76.2) ring	64	.063 (1.59)	11 & 12	100**
48 L	3.00 (76.2)	48	.063 (1.59) Accepts Steel Tubing	10	1500

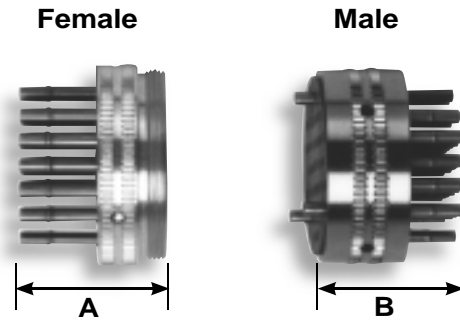
\* Consult factory for higher pressure ratings or different tubulation diameters.

\*\* Can be used to 500 psi with gasstage.

# PNEUMATIC CONNECTORS—(100 PSI)

## Quick Disconnect

The following connectors are ideal for making quick disconnects at test break points where space is important. These connectors have the highest channel density per connector of all our round connectors. A flat gasket is shipped with the male connector for sealing. Blanking caps are available for some connector models as shown in the chart below.



Dimensions Inches (mm)					
Connector Diameter	Number of SS Tubulations	A	B	Distance Between Tube Centers	Tubulation Dimensions
.460 (11.7)	19	Pyramid* .600 (15.24)	Pyramid* .536 (13.61)	.074 (1.88)	.040 (1.02) O.D.
.560 (14.2)	31	.540 (13.72)	.485 (12.32)	.074 (1.88)	.040 (1.02) O.D.
.700 (17.8)	55	.540 (13.72)	.490 (12.45)	.074 (1.88)	.040 (1.02) O.D.
.900 (22.9)	31	.675 (17.15)	.650 (16.51)	.125 (3.18)	.063 (1.59) O.D.
1.125 (28.6)	55	.690 (17.53)	.650 (16.51)	.125 (3.18)	.063 (1.59) O.D.

\* This connector has the steel tubulations stacked in a pyramid for easy access. All other connectors shown on this page have all tubes of equal length as shown in A & B photos above.

### To order, specify:

Number of SS Tubulations	Ordering Selection Guide				
	Male Connector	Female Connector	ScanCo # Spare Gasket	Caps For Male	Female
19	19M460	19F460	50059-1	N/A	50013-3
31	31M560	31F560	50159-1	N/A	50013-2
55	55M700	55F700	50007-1	50024	50013-1
31	31M900	31F900	50139-2	N/A	N/A
55	55M1.125	55F1.125	50129-1	50110-1	N/A

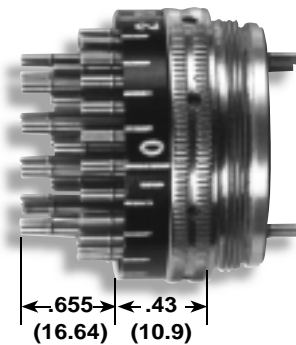
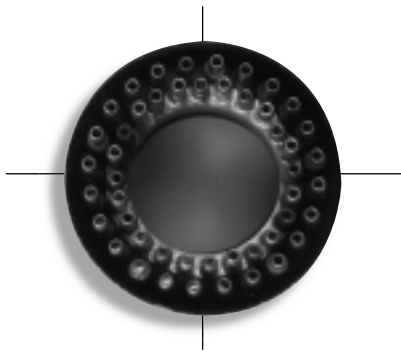
# PNEUMATIC CONNECTORS—MODEL D (300 PSI)

The “D” connectors make ideal quick disconnects at model test break points when both male and female connectors are used together. Both connectors are available with 48 stainless steel tubulations.

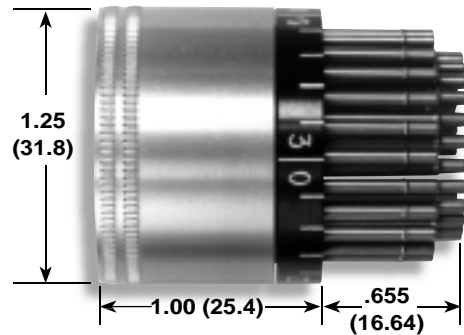
## To Order, Specify:

ScanCo #	48	D	M	1/2	—	063
No. of Tubulation	24 and 48	Model D	Connector Type: M - Male F - Female FB - Female Bulkhead	Tubulation Length		Tubulation Size .040 .063

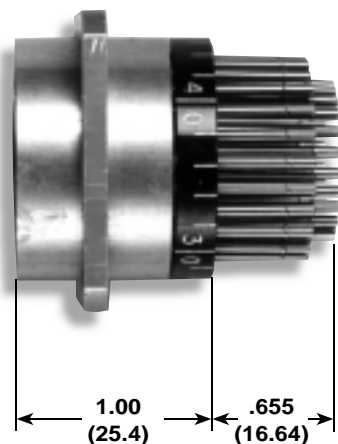
Spare Gasket for D Connector, ScanCo #6088



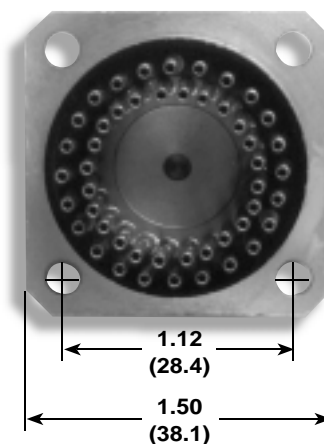
**48D8M-1/2**  
(Male)



**48DF-1/2**  
(Female)



**48DFB-1/2**  
(Female Bulkhead)

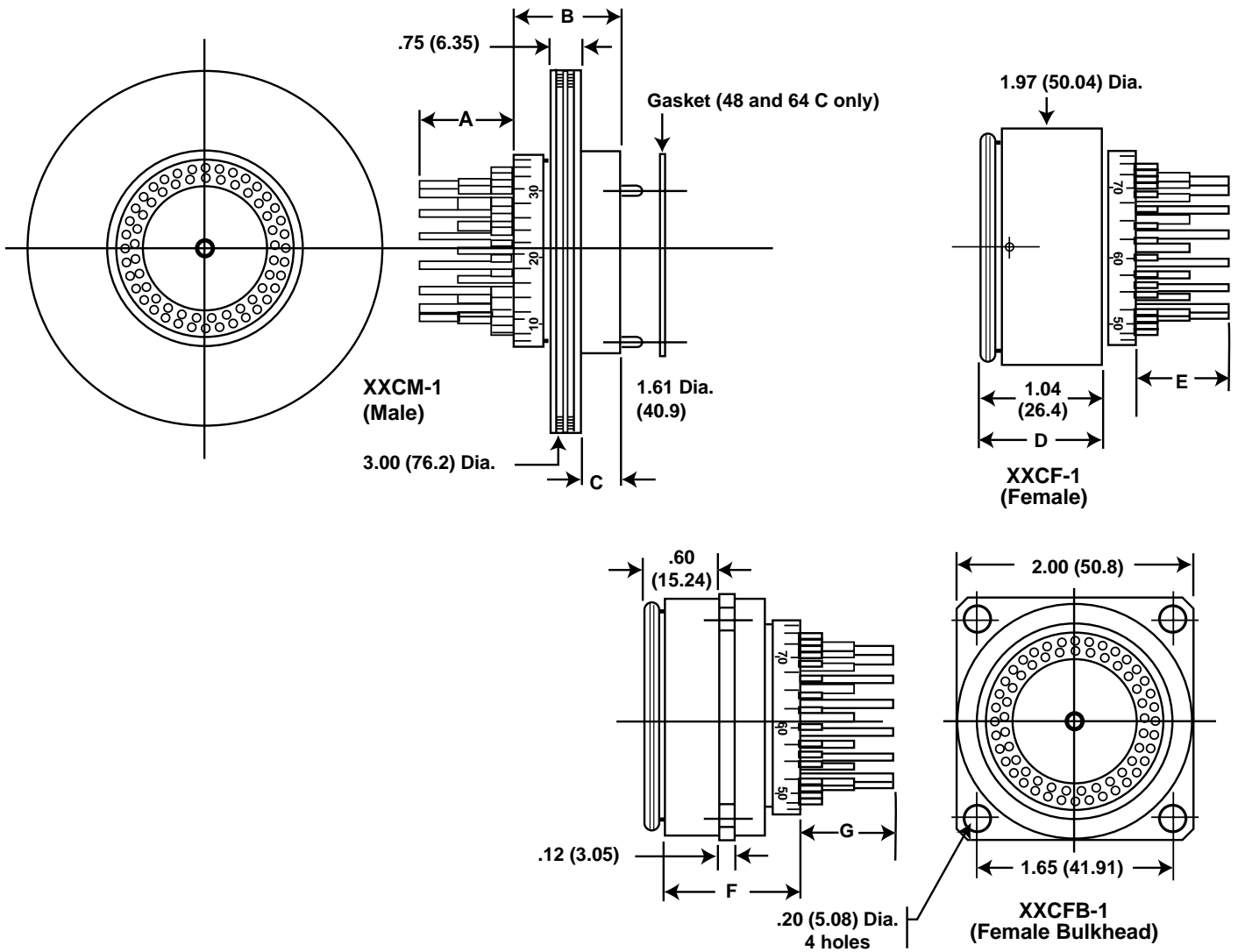
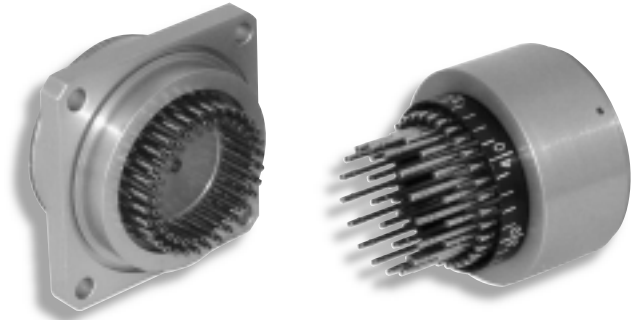


**.16 (4.06)**  
Diameter Holes  
4 each

# PNEUMATIC CONNECTORS—24C, 48C, AND 64C

## Description

The line of CM connectors when used with a CF (female connector), or a CFB (female bulkhead connector), becomes ideal quick disconnects at pressure break points. The stainless steel tubulations are designed to fit either ScanCo .063 or .125 tubing. The CM connectors are also used with Scanivalve modules.



# PNEUMATIC CONNECTORS—24C, 48C, & 64C (500 PSI)

## Dimensions Inches (mm)

### 24C Pneumatic Connectors

#### To Order, Specify:

ScanCo #	Description	No. of Tubulations	Connector Pressure Rating	Tubulation Size	A	B	C	D	E	F	G	Cap
24CM-1	Male Connector for 24C Scanivalve	24	500 psi	.125 O.D. (3.18)	.86 (21.8)	.90 (22.9)	.36 (9.14)					N/A
24CF-1	Female Connector							1.30 (33.0)	.86 (21.8)			
24CFB-1	Female Bulkhead Connector									1.30 (33.0)	.86 (21.8)	
65013-1	Spare Cage Gasket w/o O Rings											
0995-070X-150B	Spare O Rings											

### 48C Pneumatic Connectors

48CM-1	Male Connector for 48C Scanivalve	48	500 psi	.063 O.D. (1.59)	.82 (20.8)	.82 (20.8)	.34 (8.64)					N/A	
48CF-1	Female Connector							1.26 (32.0)	.86 (21.8)				6386-1
48CFB-1	Female Bulkhead Connector									1.13 (28.7)	.86 (21.8)		6386-1
6025	Spare Gasket												
5180	Optional Gascage												

### 64C Pneumatic Connectors

64CM-1	Male Connector for 64C Scanivalve	64	100 psi*	.063 O.D. (1.59)	.77 (19.6)	.87 (22.1)	.34 (8.64)					N/A	
64CF-1	Female Connector							1.30 (33.0)	.78 (19.8)				
64CFB-1	Female Bulkhead Connector									1.17 (29.2)	.78 (19.8)		
6305	Spare Gasket												
6015	Optional Gascage												

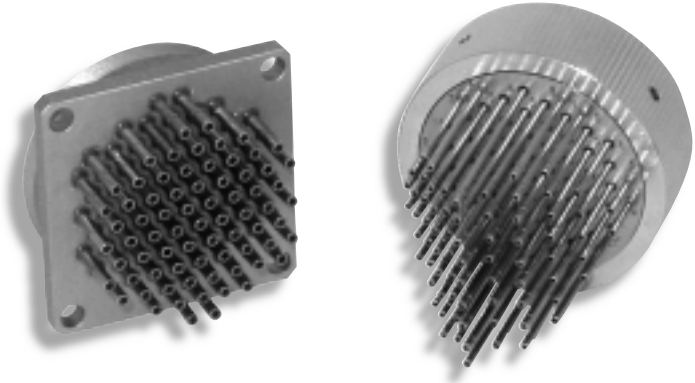
\*Can be used up to 500 psi with gascage. Please consult factory.

# PNEUMATIC CONNECTORS—ZOC (500 PSI)

This high density 48 or 73 channel connector is a very popular bulkhead quick disconnect containing either .063 inch O.D. tubulations or .040 inch O.D. tubulations. This pneumatic connector is also used on our ZOCTCU Thermal Control Units. It can be used up to 500 psi.

## To Order, Specify:

73	ZOC	M	063
No. of Tubes	Model	Connector Type	Tubulation Size
-48 (.063 only)		M-Male	-063 O.D.
-73 (.040 or .063)		FB-Female Bulkhead	-040 O.D.



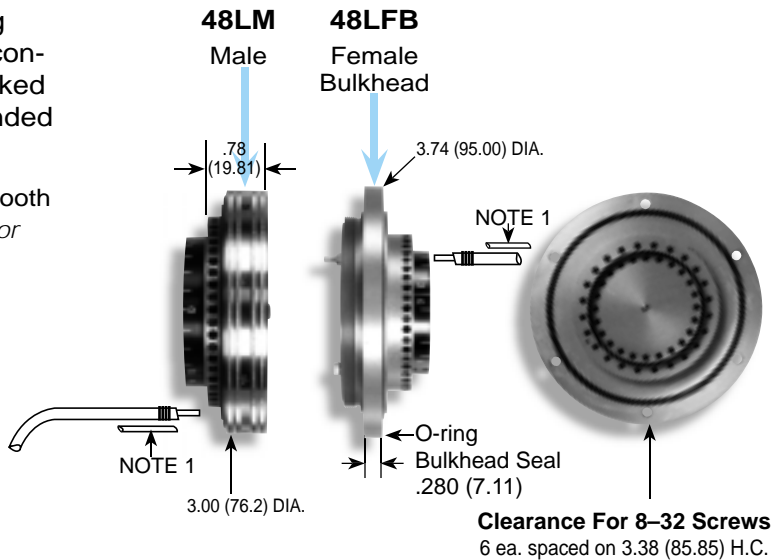
# HIGH PRESSURE "L" CONNECTORS (1500 PSI)

The 48L series connectors are ideal for making quick disconnects at test break points. These connectors accept stainless steel tubing that is locked via a set screw. This tubing must be smooth ended .063 stainless steel tubing.

**Note 1:** Tubing supplied by customer must have smooth end, or order ScanCo #TUBN-063-X. (See page 3 for reference.)

## To Order, Specify:

ScanCo #	48	L	M
	No. of Tubulations	Model	Connector Type
			M-Male
			FB-Female Bulkhead



Caps are available to blank off half of the connector.  
To cap off 48LM connector, order no. 6245-1.  
To cap off 48LFB connector, order no. 6244-1.