

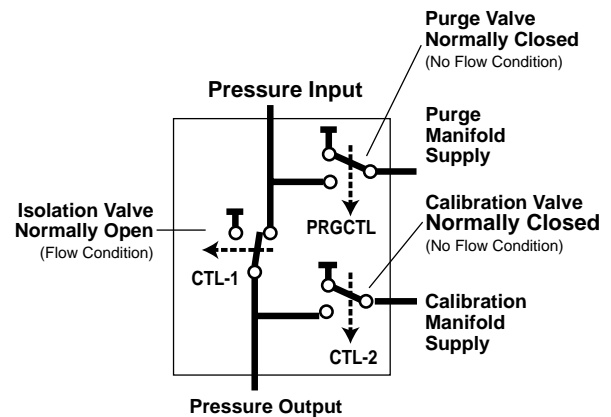
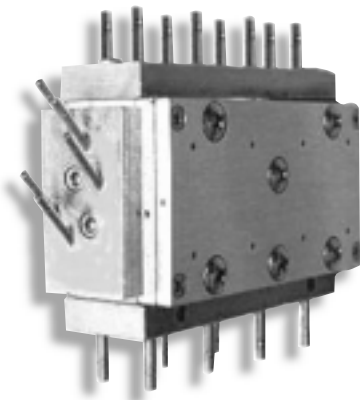
QUICK COUPLER ORDERING INFORMATION

		For Use on Tubing	
To Order, Specify	ScanCo #	.063 O.D.	.125 O.D.
Collet Each End	Model-2	QC063-2	QC125-2
Thread One End	Model-TH	QC063-TH8	QC125-TH25
Tube One End	Model-TUBN	QC063-TUBN063	QC125-TUBN125

PNEUMATIC CALIBRATION/PURGE VALVE

This is a 3-way 8 channel(8P-3T) pneumatic logic valve ideal for calibrating up to 8 individual pressure transducers of similar pressure range. A 90–120 psi control pressure is required to switch the valve from the default measurement mode, to the calibration, purge or isolate mode. In the calibration

mode, input pressures are isolated, allowing the user to apply a calibration to the 8 sensors that are manifolded together. The purge mode allows a purge pressure to be input and purge condensation or contamination back through the input tubes. Order Information: ZOCCAL/ADPT



Dimension Inches (mm)

