

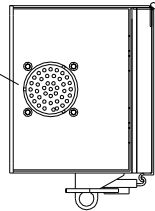
NOTES:

1. ALL DIMENSIONS = INCHES [CM]
2. REFER TO 21000-1 FOR DETAIL DRAWINGS.
3. INDIVIDUAL SHIELDED THERMOCOUPLE OPTION AVAILABLE.

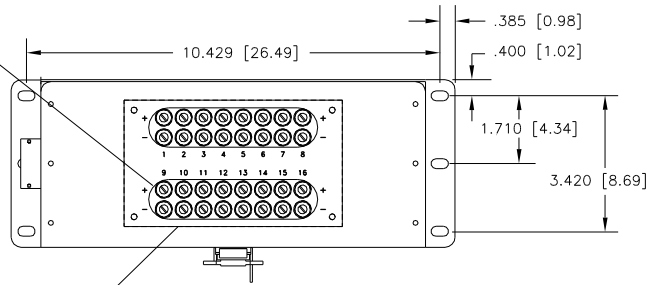
REVISIONS				
ZONE	REV	DESCRIPTION	BY AND DATE	CHECK
	B	FINAL DESIGN	NG 2-24-98	
	C	RTD SCHEMATIC	NG 9-16-97	
	D	FINAL DESIGN AFTER 1ST BUILD	NG 7-13-98	

41 PIN CONNECTOR
BENDIX P/N:
PT02A-20-41P (CO-389)

MATING CONNECTOR P/N:
PT06A-20-41S-SR
(CO-390, CO-111)

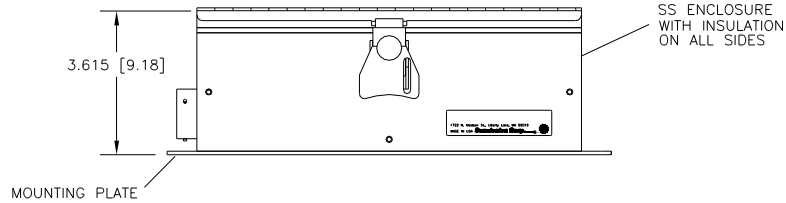


6-32 BRASS TERMINAL SCREW
FOR THERMOCOUPLE WIRES
(0998-6BIN1/4B)(32 PLACES)



ALUMINUM ALLOY ISOTHERMAL BLOCK
WITH THERMAL RIBBON RTD'S INSTALLED

NOTE: LID AND TOP INSULATION
REMOVED IN THIS VIEW



INSULATION ON TOP
AND LID CLAMPS
THERMOCOUPLE WIRES
IN PLACE

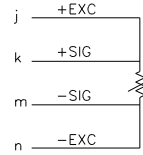
HINGED LID WITH LOCKABLE
LATCH. OPENS FOR EASY
COLD JUNCTION ACCESS.

WIRING HARNESS TABLE

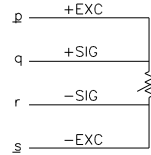
CO-389	SCREW TERMINAL
A	+1
B	-1
C	+2
D	-2
E	+3
F	-3
G	+4
H	-4
J	+5
K	-5
L	+6
M	-6
N	+7
P	-7
R	+8
S	-8
T	+9
U	-9
V	+10
W	-10
X	+11
Y	-11
Z	+12
a	-12
b	+13
c	-13
d	+14
e	-14
f	+15
g	-15
h	+16
i	-16

RTD WIRING TABLE

CO-389	RTD-101
j	+EXC/L1
k	+SIG/L2
m	-SIG/L3
n	-EXC/L4
p	+EXC/L1
q	+SIG/L2
r	-SIG/L3
s	-EXC/L4

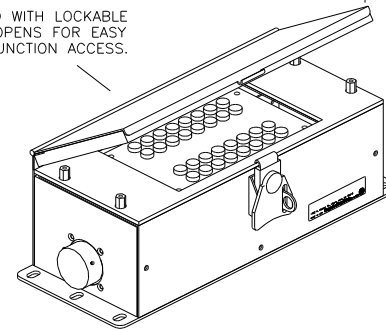


RTD #1



RTD #2

-1 UNIFORM TEMPERATURE REFERENCE-PASSIVE



UNLESS OTHERWISE SPECIFIED	APPROVALS		DATE	SCALE
	DRAWN	CHECKED	DATE	
DIMENSIONS ARE IN INCHES TOLERANCES ON DECIMALS XX = 0.015 XXX = 0.005 DO NOT SCALE DRAWING	BRC	NSG	2-3-98	UNIFORM TEMP. REF.- PASSIVE UTR-P
	BRC	BRC	2-3-98	
DRW AND TD, PER AND 174.0M	SCALE	NONE	SHEET 1 OF 1	